

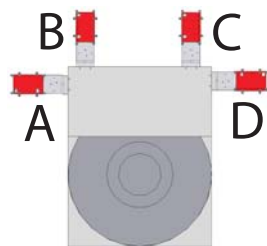


## LPX110 LPX Plate Hotel

- Expanding Capacity and Minimizing Footprint
- The 110 is Perfectly Suitable for Mild-Large Scale Applications.

# LPX110

The LPX110 is the latest member of the LPX family. Offering a capacity of 110 MTP plates and a high flexibility for integration it is perfect for automation needs. In fact, the LPX110 can be integrated in four different orientations. Left, right, back and side access is made possible by one single system.



## Options

	Order Nr.
Bar Code Reader Option	9118 11 03
Plate Presence Sensor	9121 00 62
Disposal Tips upgrade kit up to 100mm height	9118 12 23
Fast access for time critical applications	9111 10 00
Housing	9131 07 19
Cover Protection with integrated Door for manual access	9131 07 23
Linear Shaker	9144 00 59
Transfer Station Location Case A	9131 07 20
Transfer Station Location Case B	9131 07 21
Transfer Station Location Case D	9131 07 22
Option Petri Dish Capability for LPX	9144 00 92

## Capacity

Plate Type	Plate Height	Plate capacity of unit
NTP (Nanotiter Plates)	5 mm	210
	11 mm	140
	12 mm	135
	17 mm	110
	22 mm	85
1536	23 mm	85
	24 mm	85
	27 mm	75
MTP (Microtiter Plates)	44 mm	50
	53 mm	40
DiTi200	66 mm	35
DiTi1000	104 mm	20

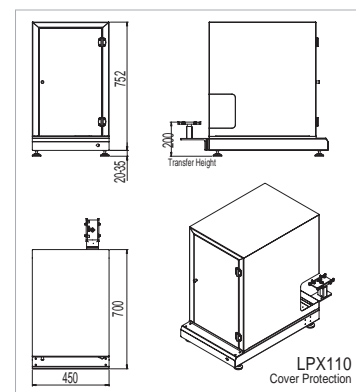
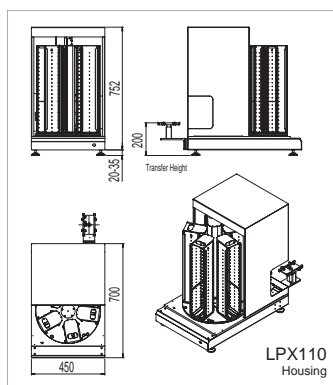
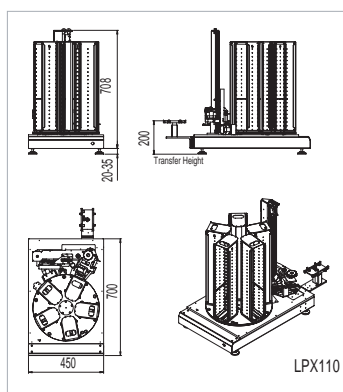
The newly developed handling with higher speed is used in the LPX110. Various Options like shaker, BCR, housings and many accessories like various cassettes and transfer stations are available. For details please refer to [www.liconic.com](http://www.liconic.com).

The LPX110's 110 MTP capacity makes it perfectly suitable for most integrations. Its compact size and its capacity make it also ideal for mixed plates applications.

## Accessories

	Order Nr.
Standard MTP cassette, 22 levels, pitch=23mm	9111 05 00
Deep-well cassette, 10 levels, pitch=50mm	9111 05 42
Custom Size cassette, nn levels, mm pitch (specify plate height)	9118 12 31
MTP cassette, 22 levels, pitch=23mm, all stainless steel	9118 12 26
Deep-well cassette, 10 levels, pitch=50mm, all stainless steel	9118 12 27
Custom Size cassette, nn levels, mm pitch, all stainless steel	9118 12 33
Standard Transfer Station with integrated plate detection sensor	9118 02 75
90 degree turn station, rotates plate from portrait to landscape	9118 00 59
Swap transfer station with plate buffer function	9118 11 00
Slide transfer station for extended transfer reach motor up (170mm)	9111 12 28
Slide transfer station fo extended transfer reach (300mm)	9111 07 81
Custom size slide transfer station (specify transfer reach 270 - 1000mm)	9118 12 30

	Order Nr.
LPX110	9131 07 14



**LICONIC**  
INSTRUMENTS

[www.Liconic.com](http://www.Liconic.com)

Europe & International: Liconic AG, Liechtenstein

UK & Nordic: Liconic UK Ltd, Manchester

US & Asia: Liconic Inc, Woburn MA

22.05.2014

© Liconic AG